

AC COOLING FAN

MODEL NUMBER DESCRIPTION

A	17	251	V1	H	B	T	M
FAN TYPE A: AC AXIAL FAN AB: AC BLOWER FAN	FRAME SIZE & THICKNESS	VOLTAGE V1 (110-120V) V2 (220-240V)	AIR FLOW SPEED S: SUPER HIGH H: HIGH M: MEDIUM L: LOW XL: EXTRA LOW	BEARING TYPE B: BALL BEARING S: SLEEVE BEARING	TERMINATION T: TERMINALS L: LEAD WIRES	IMPELLER TYPE M: METAL	

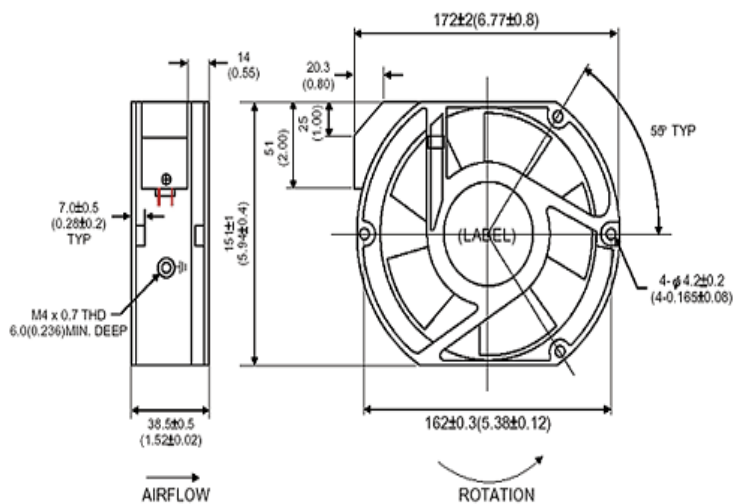
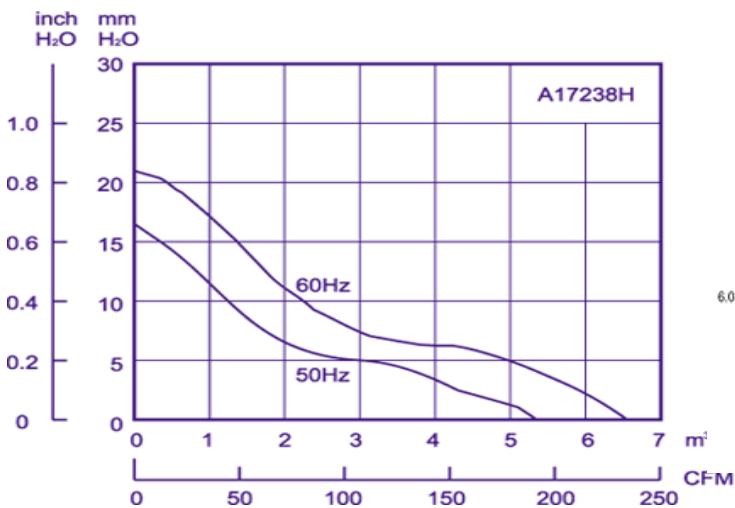
A17238 Series

Size:172x151x38mm(6.77"x6"x1.5")



Model No.	Rated Voltage	Frequency (Hz)	Rated Current (A)	Input Power (W)	Speed RPM	Air Flow		Noise dB(A) @1M
						CFM	m3/min	
A17238V1H	115	50 / 60	0.22 / 0.29	26 / 32	2800 / 3350	190 / 235	5.4 / 6.7	55 / 59
A17238V1M	115	60	0.23	25	2900	200	5.66	55
A17238V1L	115	60	0.19	22	2600	170	4.81	50
A17238V1XL	115	60	0.17	18	1700	110	3.12	38
A17238V2H	230	50 / 60	0.11 / 0.15	26 / 32	2800 / 3350	190 / 235	5.4 / 6.7	55 / 59
A17238V2M	230	60	0.13	25	2900	200	5.66	55
A17238V2L	230	60	0.12	22	2600	170	4.81	50
A17238V2XL	230	60	0.1	18	1700	110	3.12	38

AIR PERFORMANCE



A25089 Series

Size: $\phi 254 \times 89 \text{mm}$ ($\phi 10" \times 3.50"$)



Model No.	Rated Voltage	Frequency (Hz)	Rated Current (A)	Input Power (W)	Speed RPM	Air Flow		Noise dB(A) @1M
						CFM	m3/min	
A25089V1H	115	50 / 60	0.23 / 0.23	26 / 23	1400 / 1600	600 / 650	17.0 / 18.8	50 / 52
A25089V2H	230	50 / 60	0.15 / 0.13	56 / 60	1400 / 1650	600 / 665	17.0 / 18.8	50 / 52
A25089V1M	115	50 / 60	0.375 / 0.360	42 / 43	1400 / 1650	455 / 550	12.9 / 15.6	48 / 52
A25089VM	230	50 / 60	0.1870 / 0.177	39 / 41	1400 / 1650	455 / 550	12.9 / 15.6	48 / 52

AIR PERFORMANCE

