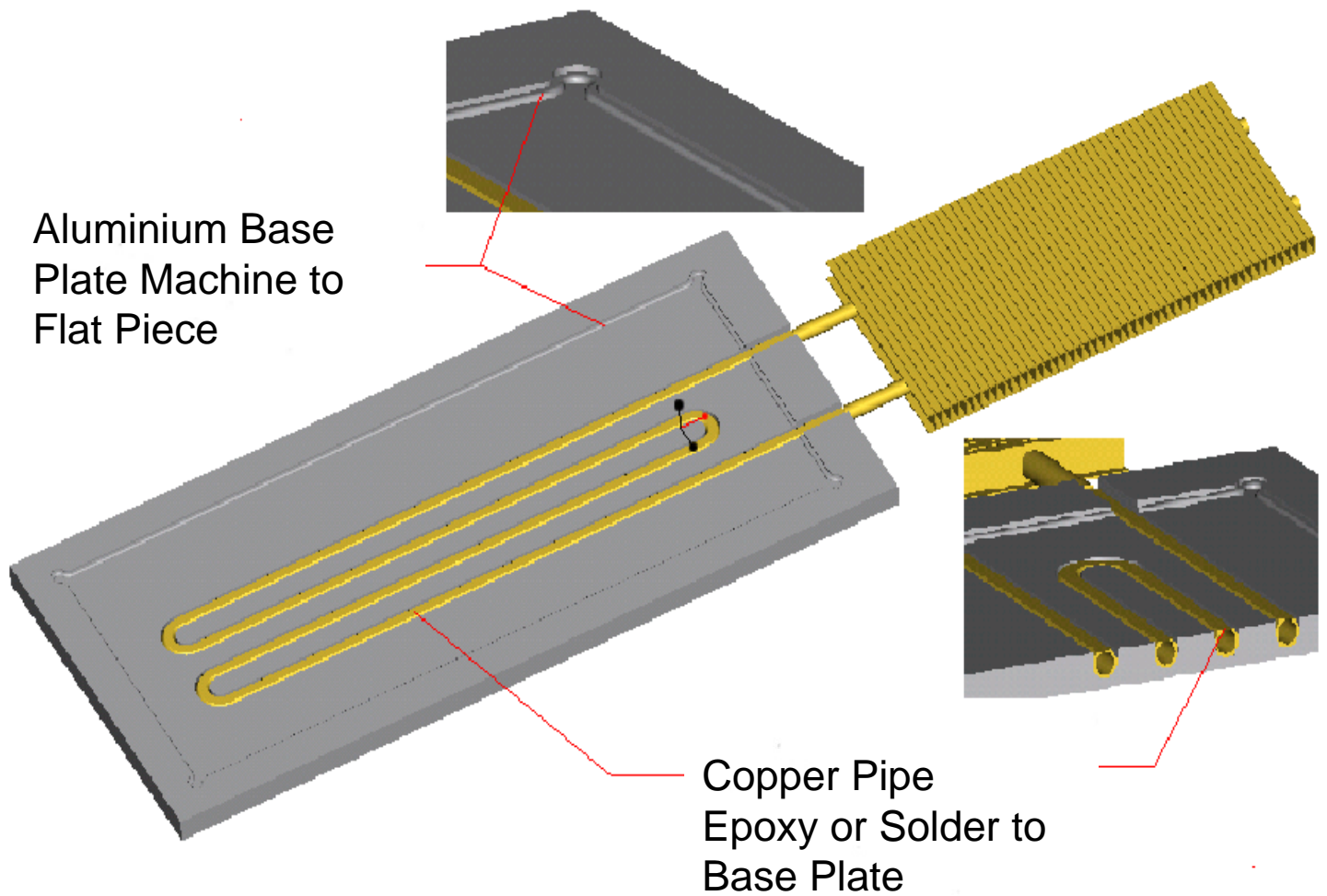


LIQUID COOLING SYSTEMS

MADE TO MEET CUSTOMER THERMAL REQUIREMENT



Cooling of IGBT