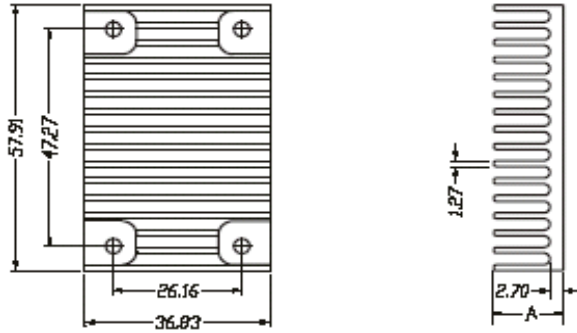
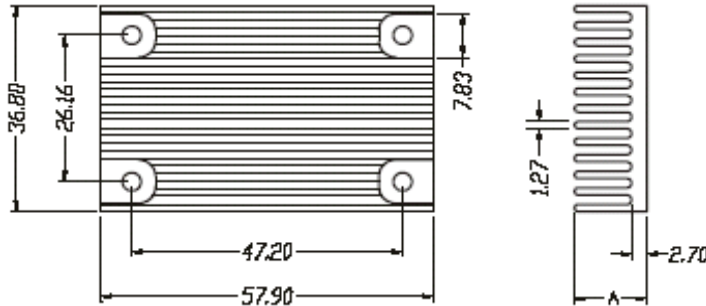


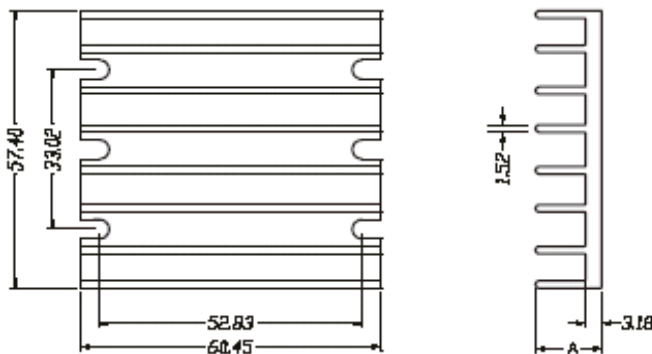
DC to DC CONVERTER HEAT SINK



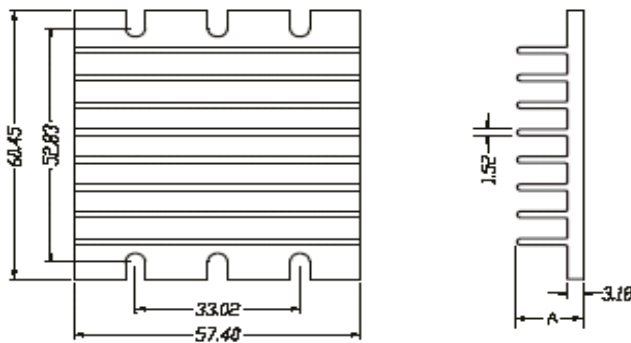
PART NO	"A"	No of Fins
4001A000	6.35	22
4003A000	12.70	22
4006A000	25.40	16



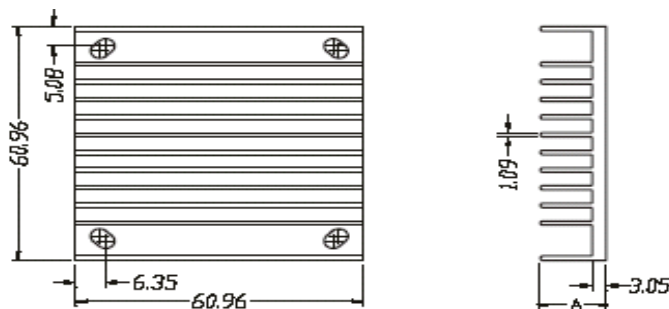
PART NO	"A"	No of Fins
4101A000	6.35	13
4103A000	12.700	13
4106A000	25.400	10



PART NO	"A"
4501A000	6.35
4504A000	10.16
4503A000	12.70
4506A000	17.78
4509A000	22.86

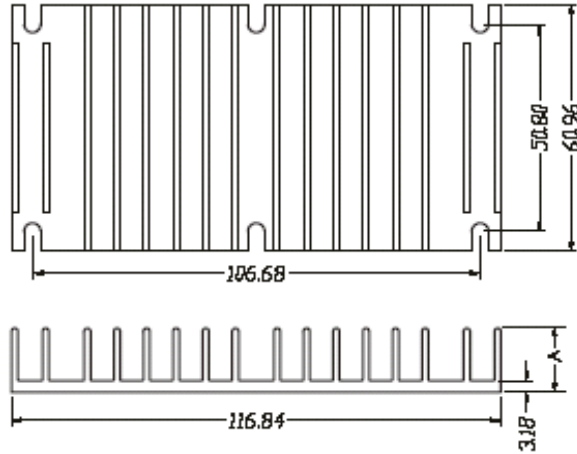


PART NO	"A"
4201A000	6.35
4204A000	10.16
4203A000	12.70
4206A000	17.78
4209A000	22.86

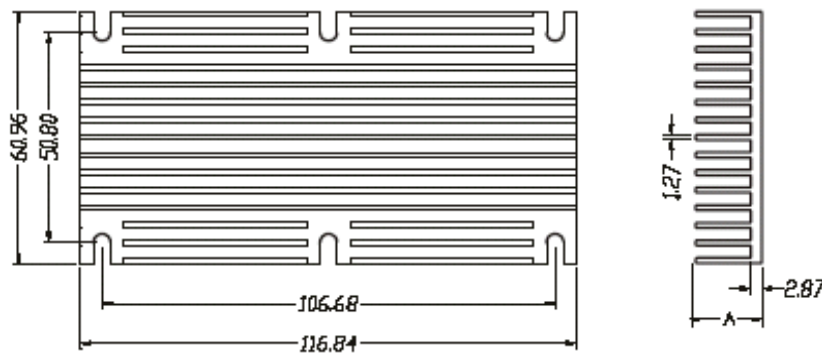


PART NO	"A"
4801A000	6.35
4804A000	10.16
4803A000	12.7
4806A000	17.78
4809A000	22.86

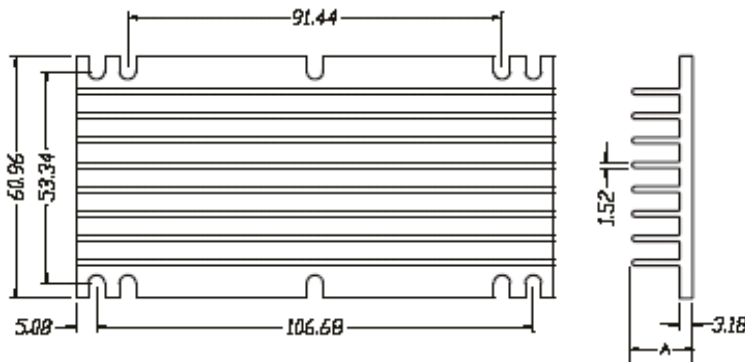
DC to DC CONVERTER HEAT SINK



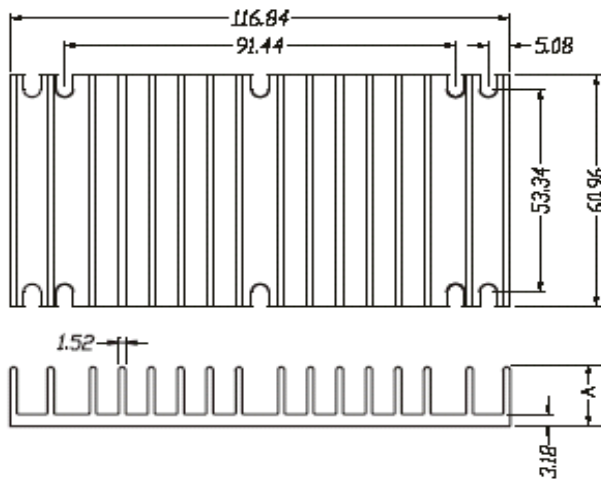
PART NO	"A"
4301A000	6.35
4302A000	10.16
4303A000	12.70
4306A000	25.40
4307A000	38.10



PART NO	"A"
4401A000	6.35
4404A000	10.16
4403A000	12.70
4406A000	25.40
4407A000	38.10



PART NO	"A"
4601A000	6.35
4604A000	10.16
4603A000	12.70
4609A000	22.86



PART NO	"A"
4701A000	6.35
4703A000	12.70
4709A000	22.86